

NEW AIR

SALAD/SANDWICH PREP TABLE

Signature Series

NPT-029-SA



FEATURES



Temperature range (°C): 0.5-5



Natural refrigerant promotes faster cool down and efficient energy consumption



8 clear plastic pans included



Insulated lid maintains food freshness



Digital temperature control



Stainless steel interior and exterior



Adjustable heavy duty shelf



Back mounted compressor

SPECIFICATIONS

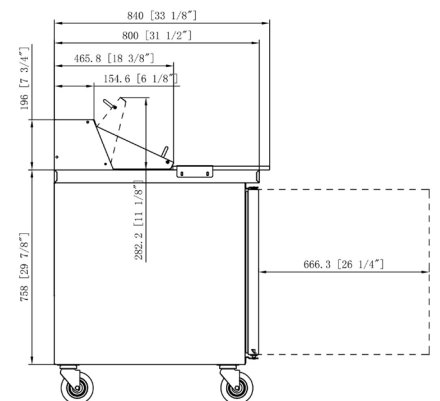
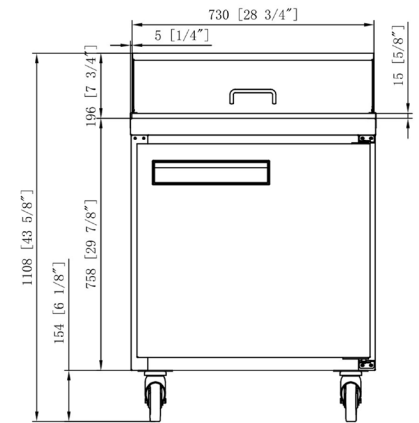
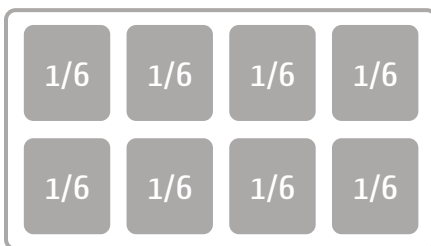
Capacity (Cubic Feet)	6.5
Capacity (Litres)	186
Exterior Unit Dimensions (in)	29" (w) x 31.5" (d) x 44" (h)
Exterior Unit Dimensions (cm)	74 (w) x 80 (d) x 112 (h)
Shipping Dimensions with Box (in)	30.5" (w) x 33" (d) x 50.75" (h)
Shipping Dimensions with Box (cm)	77.5 (w) x 84 (d) x 129 (h)
Net Weight	202lbs (91.5 kg)
Gross Weight	233lbs (106 kg)
Type of Defrost	Automatic
Cutting Board Included	1
Plastic Pan Dimensions	1/6 PAN 6.93" x 6.38" x 5.91"
Swivel Casters	Yes (2 with brakes)
Adjustable Shelves	1
Voltage	115V/60Hz
Input Power	225W
Amperes	2.0
Temperature	0.5-5 °C
Refrigerant (CFC-Free)	R290
Compressor	Embraco (1/7 HP)
Plug Type	Nema 5-15P



Warranty

**3 years parts and labour,
2 additional years on the compressor**

REGULAR TOP | 8 X 1/6 PAN



DESIGN AND SPECIFICATIONS CAN CHANGE WITHOUT PRIOR NOTICE FOR PRODUCT IMPROVEMENT