

SALAD/SANDWICH PREP TABLE

Signature Series

NPT-060-SA



FEATURES



Temperature range (°C): 0.5-5



Digital temperature control



Natural refrigerant promotes faster cool down and efficient energy consumption



Stainless steel interior and exterior



16 clear plastic pans included



Adjustable heavy duty shelves



Insulated lid maintains food freshness



Back mounted compressor

SPECIFICATIONS

Capacity (Cubic Feet)	14.3
Capacity (Litres)	405
Exterior Unit Dimensions (in)	60" (w) x 31.5" (d) x 44" (h)
Exterior Unit Dimensions (cm)	152.5 (w) x 80 (d) x 112 (h)
Shipping Dimensions with Box (in)	61.5" (w) x 33" (d) x 50.75" (h)
Shipping Dimensions with Box (cm)	156 (w) x 84 (d) x 129 (h)
Net Weight	275lbs (125 kg)
Gross Weight	365lbs (165 kg)
Type of Defrost	Automatic
Cutting Board Included	1
Plastic Pan Dimensions	1/6 PAN 6.93" x 6.38" x 5.91"
Swivel Casters	Yes (2 with brakes)
Adjustable Shelves	2
Voltage	115V/60Hz
Input Power	280W
Amperes	2.4
Temperature	0.5-5 °C
Refrigerant (CFC-Free)	R290
Compressor	Embraco (1/5 HP)
Plug Type	Nema 5-15P

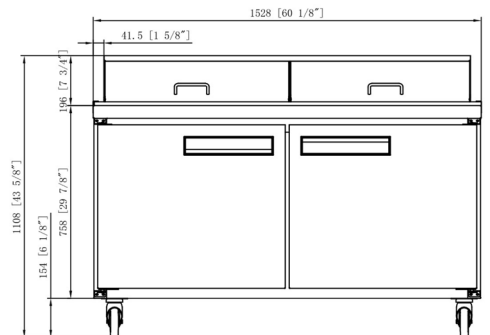
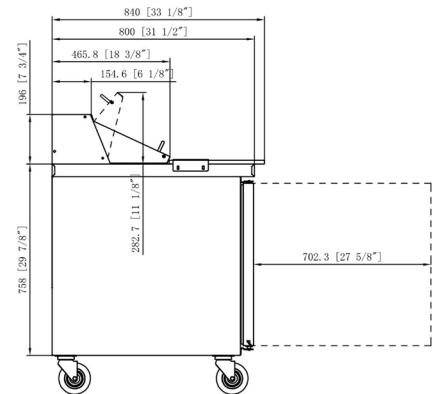


Warranty

**3 years parts and labour,
2 additional years on the compressor**



REGULAR TOP | 16 X 1/6 PAN



DESIGN AND SPECIFICATIONS CAN CHANGE WITHOUT PRIOR NOTICE FOR PRODUCT IMPROVEMENT