

NBD-23-SB

BEER DISTRIBUTER

Ideal for restaurants, bars, and cafés



FEATURES

Talos™ Beer Tower Kit with Faucets
(NSF Certified)



Black steel exterior

Removable drip tray



Stainless steel top with safety bar

Interior LED lighting

Carel™ digital temperature controller
and indoor thermometer



Two keg couplers

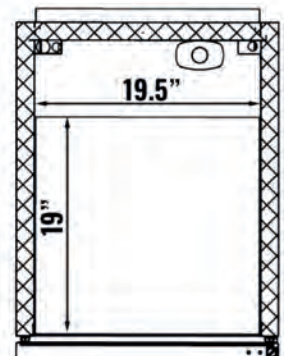
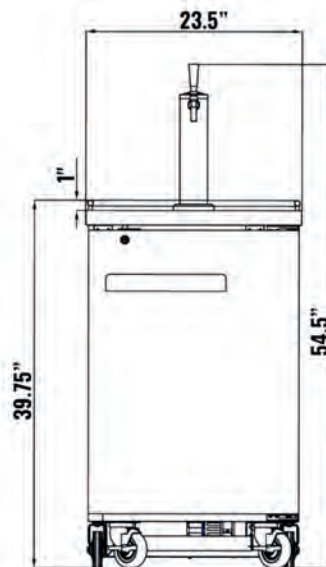
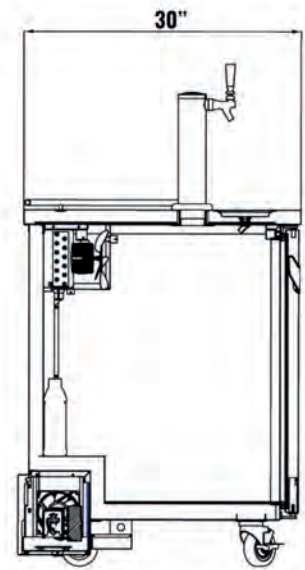
Self-closing doors with integrated
locks

Mounted on wheels



SPECIFICATIONS

| | |
|-------------------------------|-------------------------------------|
| Capacity (Cu. ft) | 6.5 |
| Capacity (Litres) | 184.06 |
| Exterior Unit Dimensions (in) | 23.5" (w) x 30.75" (d) x 38.75" (h) |
| Interior Dimensions (in) | 19.5" (w) x 19.5" (d) x 28.5" (h) |
| Packing Dimensions (in) | 24.5" (w) x 34.75" (d) x 42.75" (h) |
| Net/Gross Weight (lbs) | 154/176 |
| Material | Acier laqué noir/acier inoxydable |
| Doors | 1 |
| Adjustable Shelves | 4 |
| Casters | Optionnelles |
| Keg Capacity | 1 x ½ barils |
| Temperature (°C) | (0°C) - (5°C) |
| Refrigerant (CFC-Free) | R290 |
| Amperage (A) | 1.92 |
| Voltage (V) | 115V/60Hz |
| Plug Type | NEMA 5-15P |



NEMA 5-15P



CUSTOMER SUPPORT



1-800-567-3620



NEWAIRREFRIGERATION.CA



NEW AIR

*Design and specifications can change without prior notice for product improvement