

NCGD-46-S

COUNTERTOP GELATO DISPLAY CASE

Ideal for ice cream shops and supermarkets



NEW AIR
REFRIGERATION



FEATURES

Ventilated cooling system

Front double tempered glass

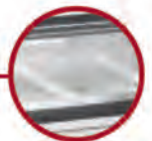
Automatic defrost

Rear sliding doors & interior
LED lighting



Digital controller & LED display

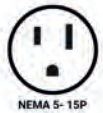
6 x 1/3 pans



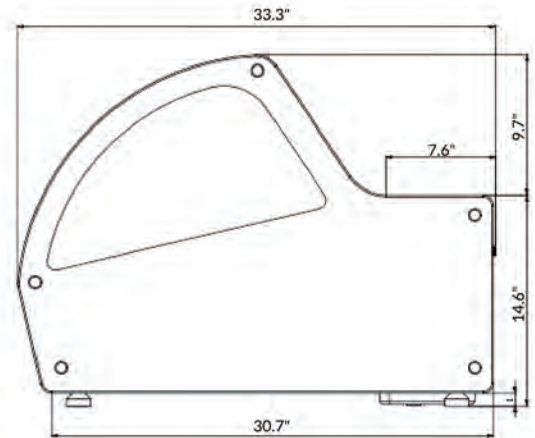
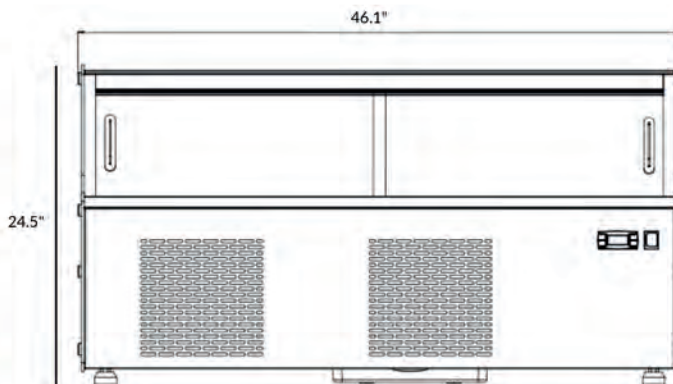
Interior LED lighting

SPECIFICATIONS

Capacity (Cu. ft)	5.08
Capacity (Litres)	122
Exterior Unit Dimensions (in)	46" (w) x 33.3" (d) x 24.5" (h)
Packaging Dimensions (in)	48.75" (w) x 36.25" (d) x 31" (h)
Net/Gross Weight (lbs)	205/253
Material	Stainless steel
Sliding doors	2 Rear sliding doors
Stabilizing Feet	Yes
Pan Capacity	6 x 1/3 pans
Temperature	(-13°C) - (-22°C)
Ambiant Temperature	<30°C
Ambiant Humidity	<55%
Refrigerant (CFC-Free)	R290
Input Power (W)	1020
Voltage	110-120V/60Hz
Amperage	9.0
Plug Type	NEMA 5-15P



NEMA 5-15P



*Design and specifications can change without prior notice for product improvement

CUSTOMER SUPPORT



1-800-567-3620



NEWAIRREFRIGERATION.CA

