

NDC-71-SG

REFRIGERATED SQUARE GLASS DISPLAY CASE

Ideal for restaurants, cafés, and bars



NEW AIR
REFRIGERATION



FEATURES

LED lighting at the top & under each shelf



Double tempered glass

Sliding doors

Black brushed stainless steel

2 adjustable glass shelves



4 wheels and 2 front legs

Heated front glass

✓ Automatic defrost

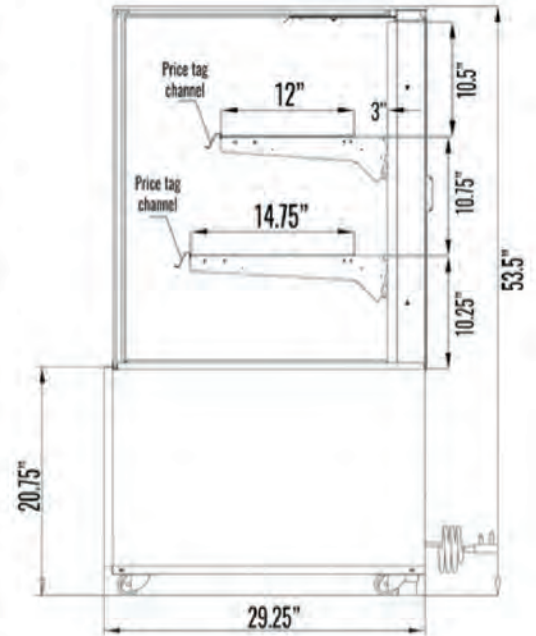
✓ Digital controller and LED screen

✓ On/off switch



SPECIFICATIONS

Capacity (Cu. Ft)	29.3
Capacity (Litres)	830
Exterior Unit Dimensions (in)	71" (w) x 29.25" (d) x 53.5" (h)
Interior Dimensions (in)	65.5" (w) x 26.25" (d) x 31.5" (h)
Packing Dimensions (in)	74.75" (w) x 33.5" (d) x 57.5" (h)
Net/Gross Weight (lbs)	705/860
Casters	4
Support Legs	2
Doors	2
Adjustable Shelves	4
Shelf Dimensions (in)	32.75" (w) x 12" (d) x 2 pcs 32.75" (w) x 14.75" (d) x 2 pcs
Shelf Capacity (lbs) (lbs)	22
Temperature	2°C to 5°C
Ambient Temperature	≤ 27°C
Ambient Humidity	≤ 60%
Input Power (W)	960
Voltage (V)	115V/60Hz/1
Amperage (A)	10.3
Plug Type	NEMA 5-15P



NEMA 5-15P



Intertek



NEW AIR

*Design and specifications can change without prior notice for product improvement

CUSTOMER SUPPORT



1-800-567-3620



NEWAIRREFRIGERATION.CA

