

NIF-50-FG

FLAT GLASS ICE CREAM FREEZER

Ideal for convenience stores, ice cream shops & supermarkets



FEATURES

4 epoxy-coated wire baskets



Sliding glass doors



Front temperature display and manual thermostat



Built-in lock

Casters

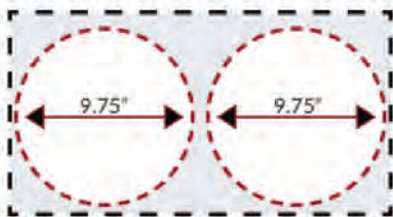


Manuel defrost



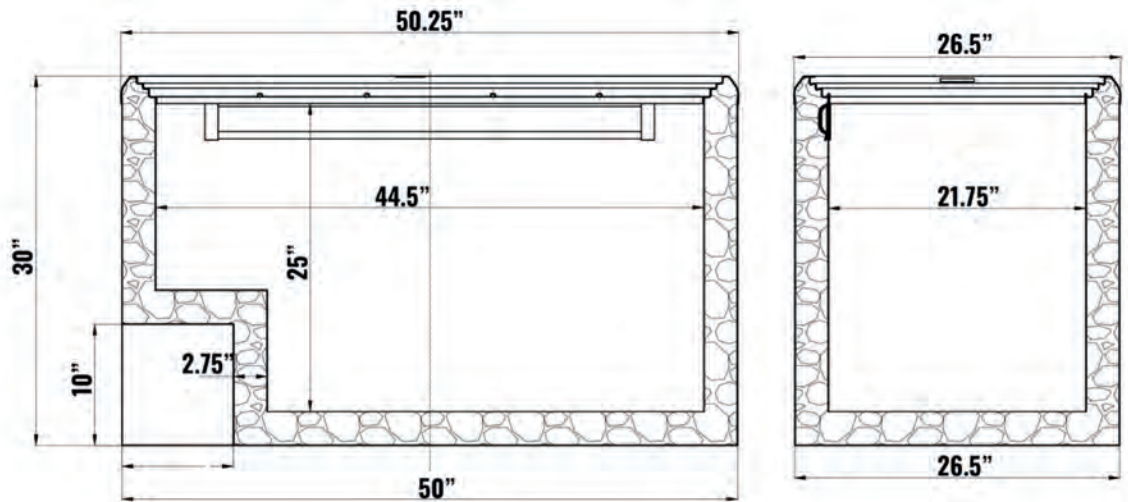
x4

**Each basket holds 2 ice cream containers



SPECIFICATIONS

Capacity (Cu. ft)	12.9
Capacity (Liters)	365
Exterior Dimensions (in)	50" (l) x 26.5" (p) x 32.75" (h)
Interior Dimensions (in)	44" (l) x 21" (p) x 25.5" (h)
Packaging Dimensions (in)	52" (w) x 30.75" (d) x 34.25" (h)
Net Weight (lbs)	222
Doors	2
Baskets	4
Basket Dimensions (in)	10" (w) x 20" (d) x 9.5" (h)
Casters	4
Temperature (°C)	(-18°C) to (-22°C)
Refrigerant (CFC-Free)	R290
Amperage (A)	2.3
Voltage (V)	115V/60Hz
Plug Type	NEMA 5-15P



NEMA 5-15P



NEW AIR

*Design and specifications can change without prior notice for product improvement

CUSTOMER SUPPORT



1-800-567-3620



NEWAIRREFRIGERATION.CA

