

NPT-044-PI

REFRIGERATED PIZZA PREP TABLES

Ideal for restaurants, cafeterias & food processing spaces



NEW AIR
REFRIGERATION



FEATURES

Clear plastic 1/3 pans included



19" deep cutting board included

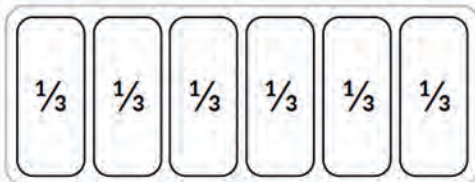


Higher resistance to dust, high quality condenser

Self-closing door at 60° with stay open feature

Stainless steel interior & exterior, sealed interior floors

PAN CAPACITY



Adjustable heavy duty shelves



Comes on casters

Insulated lids

OPTIONAL FEATURE



Additional shelves

Digital controller with on/off switch

SPECIFICATIONS

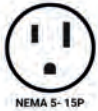
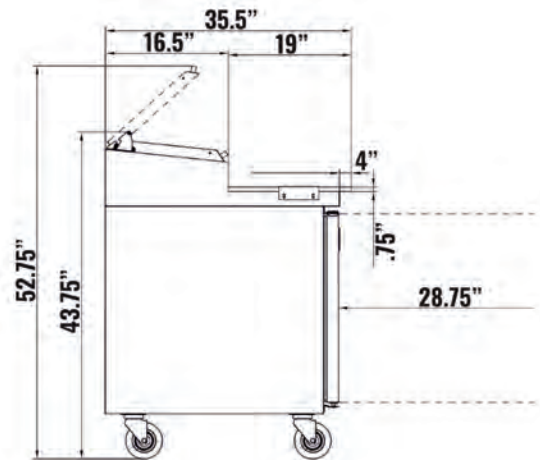
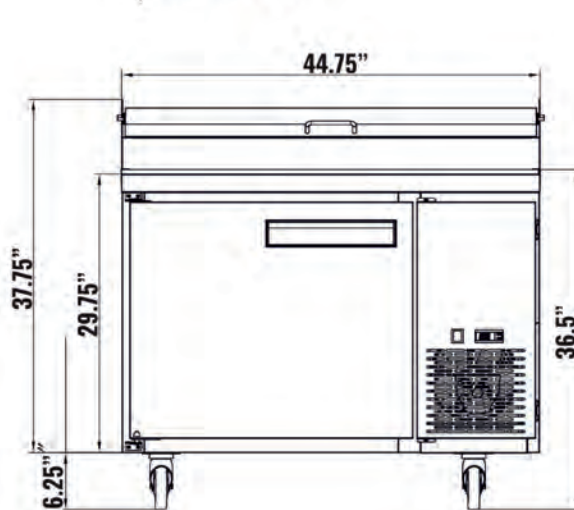
*Cutting board not included in measurements

Capacity (Cu. ft)	9.88
Capacity (Liters)	279.77
Exterior Dimensions (in)	44.75" (w) x 31.5" (d) x 43.75" (h)
Interior Dimensions (in)	27" (w) x 25" (d) x 23" (h)
Packaging Dimensions (in)	46.25" (w) x 36" (d) x 48.5" (h)
Net/Gross Weight (lbs)	224/354
Doors	1
Adjustable Shelves	1
Pan Capacity	6 x 1/3 pans
Casters	4
Temperature (°C)	(0°C) - (5°C)
Ambiant Humidity	≤ 55%
Ambiant Temperature	≤ 30°C
Refrigerant (CFC-free)	R290
Voltage (V)	115V/60Hz/250W
Amperage (A)	2.2
Input Power (W)	250W
Plug Type	NEMA 5-15P



DOUBLE OVERSHELF WITH ADJUSTABLE MIDDLE SHELF

Double overshelf can be used with all prep tables
Product code: TDOS-XX-SS



NEMA 5-15P



Intertek



NEW AIR

*Design and specifications can change without prior notice for product improvement

CUSTOMER SUPPORT



1-800-567-3620



NEWAIRREFRIGERATION.CA

