

# NPT-072-SA

## REFRIGERATED SALAD PREP TABLES

Ideal for restaurants, cafeterias & food processing spaces



### FEATURES

Clear plastic 1/6 pans included



14.5" deep cutting board included



Higher resistance to dust, high quality condenser

Self-closing door at 60° with stay open feature

Stainless steel interior & exterior, sealed interior floors

Adjustable heavy duty shelves



Back mounted compressor

Digital controller with on/off switch

Comes on casters

Insulated lid

### PAN CAPACITY

1/6	1/6	1/6	1/6	1/6	1/6	1/6	1/6	1/6	1/6
1/6	1/6	1/6	1/6	1/6	1/6	1/6	1/6	1/6	1/6

### OPTIONAL FEATURE



Additional shelves

# SPECIFICATIONS

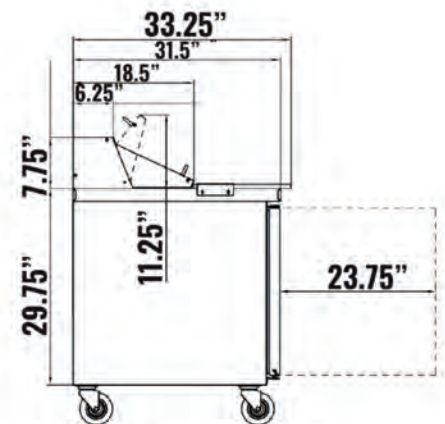
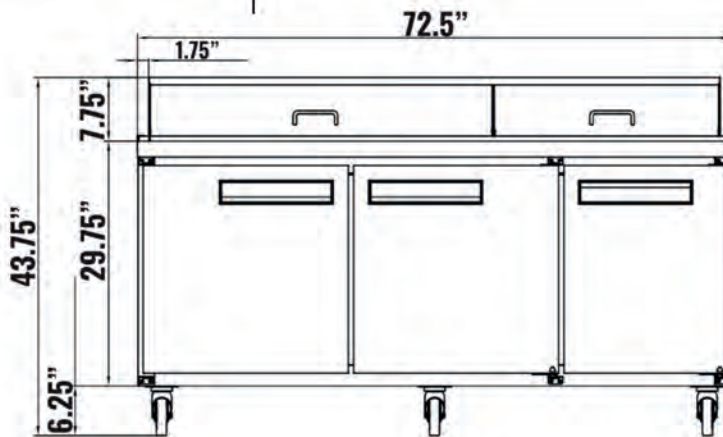
\*Cutting board not included in measurements

Capacity (Cu. ft)	17.58
Capacity (Liters)	497.81
Exterior Dimensions (in)	72.5" (w) x 31.5" (d) x 43.75" (h)
Interior Dimensions (in)	68" (w) x 20" (d) x 23" (h)
Packaging Dimensions (in)	76.75" (w) x 35.75" (d) x 48.25" (h)
Net Weight (lbs)	341
Doors	3
Adjustable Shelves	3
Pan Capacity	20 x pans 1/6 (6" deep)
Casters	6
Temperature (°C)	(0°C) - (5°C)
Ambiant Humidity	≤ 55%
Ambiant Temperature	≤ 30°C
Refrigerant (CFC-free)	R290
Voltage (V)	115V/60Hz
Amperage (A)	3.4
Input Power (W)	380W
Plug Type	NEMA 5-15P



DOUBLE OVERSHELF WITH ADJUSTABLE MIDDLE SHELF

Double overshelf can be used with all prep tables  
Product code: TDOS-XX-SS



NEMA 5-15P



Intertek



CUSTOMER SUPPORT

**NEW AIR**

\*Design and specifications can change without prior notice for product improvement



1-800-567-3620



NEWAIRREFRIGERATION.CA

