

NSR-182-H

STAINLESS STEEL REACH-IN REFRIGERATOR

Ideal for commercial kitchens, restaurants & food processing spaces

NEW AIR
REFRIGERATION



FEATURES

Dixell™ digital temperature controller & on/off switch



Self-closing doors with stay open feature

Adjustable epoxy coated wire shelves



Stainless steel interior & exterior

Heavy duty caster with front brakes



Interior LED lighting



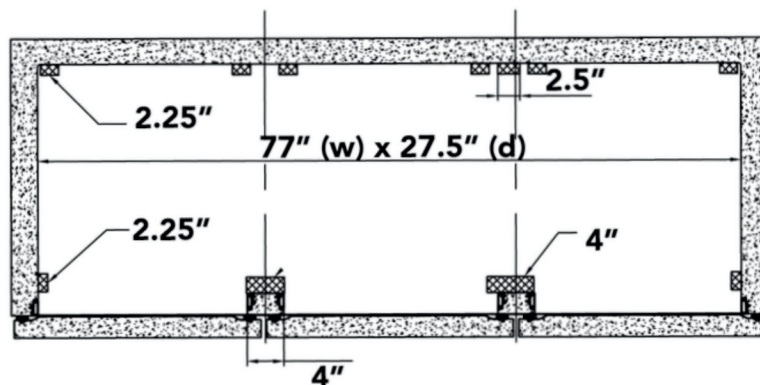
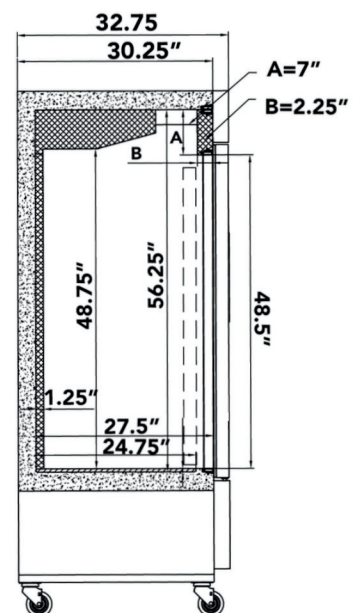
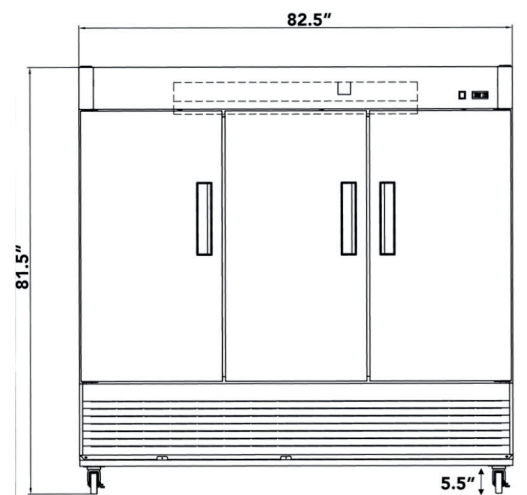
T-RACK FITS 18" x 26" PANS

Food rack insert can be used with all refrigerator & freezer sizes

Product code: TRACK-1418-SS

SPECIFICATIONS

| | |
|-------------------------------|---|
| Capacity (Cu. ft) | 64.8 |
| Capacity (Litres) | 1835 |
| Exterior Unit Dimensions (in) | 82.5" (w) x 32.5" (d) x 81.5" (h) |
| Interior Dimensions (in) | 77" (w) x 27.5" (d) x 48.5" (h) |
| Packaging Dimensions (in) | 84.25" (w) x 34.25" (d) x 85" (h) |
| Net/Gross Weight (lbs) | 595/750 |
| Doors | 3 |
| Adjustable Shelves | 12 |
| Shelf Dimensions | 24" (w) x 24.5" (d) (left & right) 26.25" (w) x 24.5" (d) (center) |
| Casters | 6 (3 with brakes) |
| Temperature | (0.5°C) - (5°C) |
| Ambiant Temperature | <38°C |
| Ambiant Humidity | 65% |
| Refrigerant (CFC-Free) | R290 |
| Input Power (W) | 760 |
| Voltage | 115V/60Hz |
| Amperage | 8.6 |
| Plug Type | NEMA 5-15P |



NEMA 5-15P



CUSTOMER SUPPORT



1-800-567-3620



NEWAIRREFRIGERATION.CA



NEW AIR

*Design and specifications can change without prior notice for product improvement