

NUF-072-SS

UNDERCOUNTER REFRIGERATOR

Ideal for restaurants, cafeterias & food processing spaces

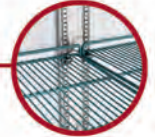


FEATURES

Dixell™ digital temperature control



Stainless steel interior and exterior



Adjustable epoxy-coated wire shelving

Self-closing doors with stay open feature

Back mounted compressor

Casters



OPTIONAL FEATURES



Additional shelves



Low profile casters

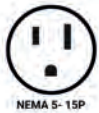
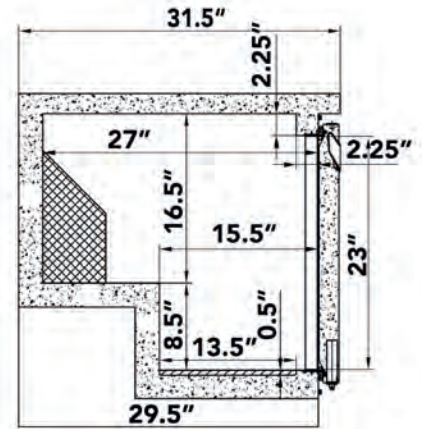
SPECIFICATIONS

| | |
|---------------------------|--|
| Capacity (Cu. ft) | 18.96 |
| Capacity (Liters) | 537 |
| Exterior Dimensions (in) | 72.5" (w) x 31.5" (d) x 36" (h) |
| Interior Dimensions (in) | 68" (w) x 27" (d) x 25" (h) |
| Packaging Dimensions (in) | 73.75" (w) x 33.25 (d) x 39.5" (h) |
| Net Weight (lbs) | 242 |
| Doors | 3 |
| Adjustable Shelves | 3 |
| Shelf dimension | 23" (w) x 16.25" (d) (right) 17.75" (w) x 16.25" (d) (left) 24.25" (w) x 16.25" (d) (center) |
| Casters | 6 |
| Temperature (°C) | (-18°C) - (-22°C) |
| Ambiant Humidity | ≤ 55% |
| Ambiant Temperature | ≤ 30°C |
| Refrigerant (CFC-free) | R290 |
| Voltage (V) | 115V/60Hz |
| Amperage (A) | 12.4 |
| Input Power (W) | 1050W |
| Plug Type | NEMA 5-15P |



DOUBLE OVERSHELF WITH ADJUSTABLE MIDDLE SHELF

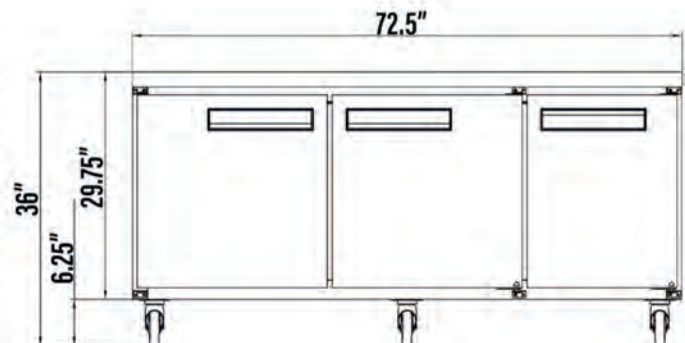
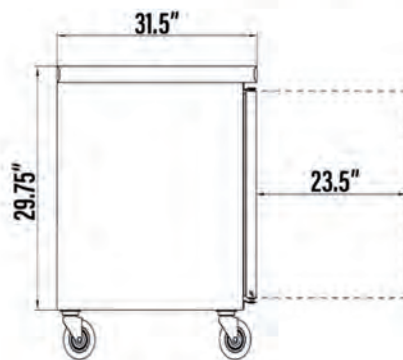
Double overshelf can be used with all prep tables
Product code: TDOS-XX-SS



NEMA 5-15P



Intertek



NEW AIR

*Design and specifications can change without prior notice for product improvement

CUSTOMER SUPPORT



1-800-567-3620



NEWAIRREFRIGERATION.CA

