

NUR-048-SS

UNDERCOUNTER REFRIGERATOR

Ideal for restaurants, cafeterias & food processing spaces

NEW AIR
REFRIGERATION



FEATURES

Dixell™ digital temperature control



Stainless steel interior and exterior



Adjustable epoxy-coated wire shelving

Self-closing doors with stay open feature

Back mounted compressor

Casters



OPTIONAL FEATURES



Additional shelves



Low profile casters

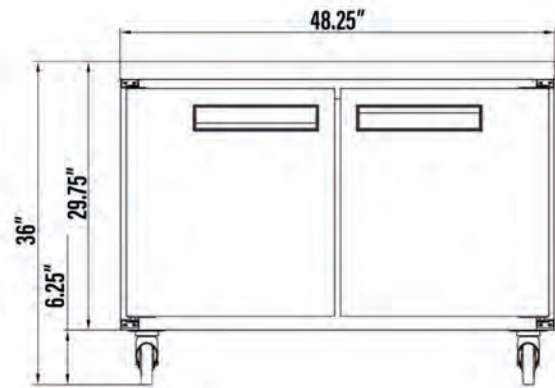
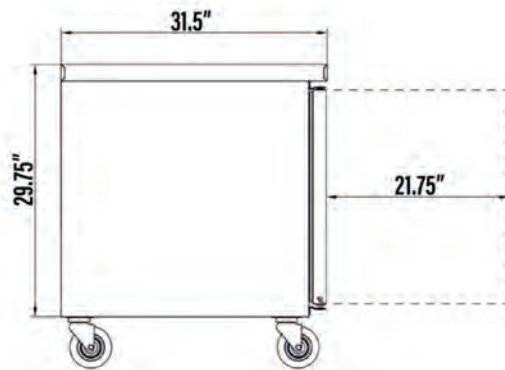
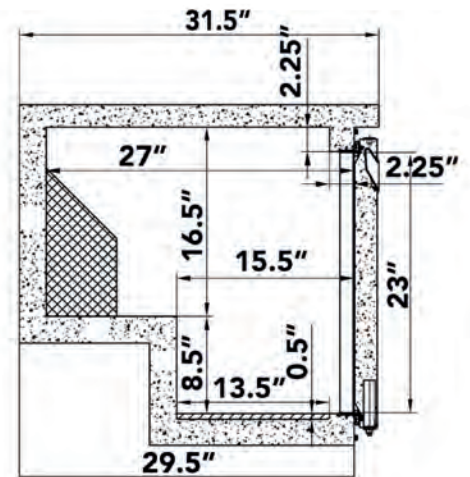
SPECIFICATIONS

Capacity (Cu. ft)	12.21
Capacity (Liters)	345.75
Exterior Dimensions (in)	48.24" (w) x 31.5" (d) x 36" (h)
Interior Dimensions (in)	44" (w) x 27" (d) x 25" (h)
Packaging Dimensions (in)	49.75" (w) x 33.25" (d) x 39.5" (h)
Net Weight (lbs)	211
Doors	2
Adjustable Shelves	2
Shelf dimension	21" (w) x 16.25" (d)/shelf
Casters	4
Temperature (°C)	(0°C) - (5°C)
Ambiant Humidity	≤ 55%
Ambiant Temperature	≤ 30°C
Refrigerant (CFC-free)	R290
Voltage (V)	115V/60Hz
Amperage (A)	2.4
Input Power (W)	280W
Plug Type	NEMA 5-15P



DOUBLE OVERSHELF WITH ADJUSTABLE MIDDLE SHELF

Double overshelf can be used with all prep tables
Product code: TDO5-XX-SS



NEMA 5-15P



Intertek



CUSTOMER SUPPORT



1-800-567-3620



NEWAIRREFRIGERATION.CA



NEW AIR

*Design and specifications can change without prior notice for product improvement