

# NUR-072-SS

## UNDERCOUNTER REFRIGERATOR

Ideal for restaurants, cafeterias & food processing spaces

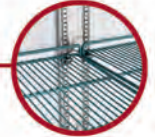


### FEATURES

Dixell™ digital temperature control



Stainless steel interior and exterior



Adjustable epoxy-coated wire shelving

Self-closing doors with stay open feature

Back mounted compressor

Casters



### OPTIONAL FEATURES



Additional shelves



Low profile casters

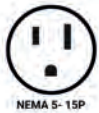
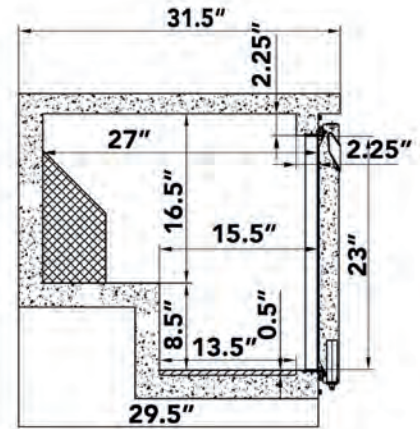
# SPECIFICATIONS

Capacity (Cu. ft)	18.96
Capacity (Liters)	537
Exterior Dimensions (in)	72.5" (w) x 31.5" (d) x 36" (h)
Interior Dimensions (in)	68" (w) x 27" (d) x 25" (h)
Packaging Dimensions (in)	73.75" (w) x 33.25 (d) x 39.5" (h)
Net Weight (lbs)	242
Doors	3
Adjustable Shelves	3
Shelf dimension	23" (w) x 16.25" (d) (right) 17.75" (w) x 16.25" (d) (left) 24.25" (w) x 16.25" (d) (center)
Casters	6
Temperature (°C)	(0°C) - (5°C)
Ambiant Humidity	≤ 55%
Ambiant Temperature	≤ 30°C
Refrigerant (CFC-free)	R290
Voltage (V)	115V/60Hz
Amperage (A)	3.4
Input Power (W)	380W
Plug Type	NEMA 5-15P



DOUBLE OVERSHELF WITH ADJUSTABLE MIDDLE SHELF

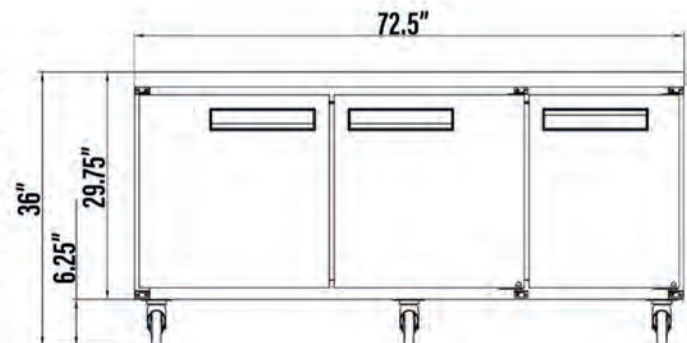
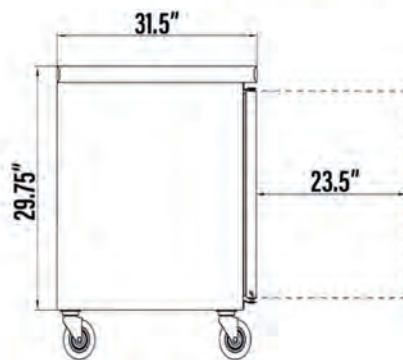
Double overshelf can be used with all prep tables  
Product code: TDOS-XX-SS



NEMA 5-15P



Intertek



**NEW AIR**

\*Design and specifications can change without prior notice for product improvement

CUSTOMER SUPPORT



1-800-567-3620



NEWAIRREFRIGERATION.CA

