

# NCD-19-SV

## GLASS DOOR SELF-SERVE COUNTERTOP DISPLAY CASE

Ideal for restaurants, convenience stores and cafés

**NEW AIR**  
REFRIGERATION



### FEATURES

Interior LED lighting



Double tempered glass

Digital controller and LED display

2 curved pass-through doors



Ventilated cooling system and automatic defrost

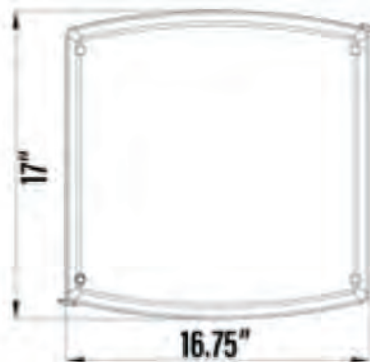
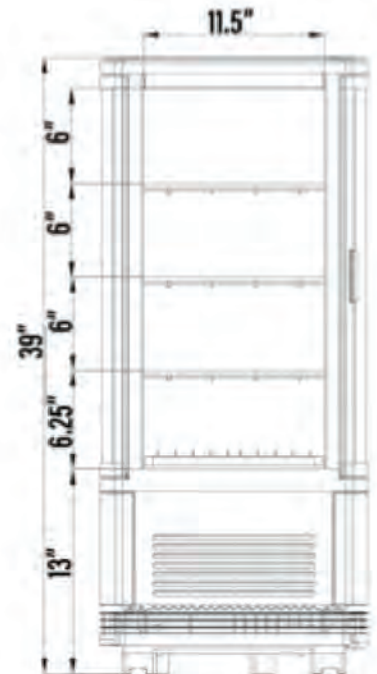
Adjustable PVC shelves



# SPECIFICATIONS

Capacity (Cu. ft)	2.75
Capacity (Litres)	78
Exterior Dimensions (in)	16.75" (w) x 17" (d) x 39" (h)
Interior Dimensions (in)	15.5" (w) x 15.5" (d) x 24" (h)
Packaging Dimension (in)	18.75" (w) x 19" (d) x 41" (h)
Net/Gross Weight (lbs)	72/77
Doors	2
Feet	4
Adjustable Shelves	3
Shelf Dimensions (in)	13.75" (w) x 14" (d)/per shelf
Shelf Capacity (lbs) (lbs)	22
Temperature (°C)	(0°C) - (12°C)
Ambiant Temperature	≤30°C
Ambiant Humidity	≤55%
Refrigerant (CFC-Free)	R290
Power (W)	175
Amperage	2.2
Voltage (V)	110-120V/60Hz
Plug Type	NEMA 5-15P

# FRONT VUE



NEMA 5-15P



Intertek



**NEW AIR**

\*Design and specifications can change without prior notice for product improvement

CUSTOMER SUPPORT



1-800-567-3620



NEWAIRREFRIGERATION.CA

