

NPT-036-MSA



REFRIGERATED SALAD/SANDWICH PREP TABLE

Ideal for restaurants, cafeterias & food processing spaces



FEATURES

Stainless steel interior and exterior

Rear digital controller

Back mounted compressor

Self-closing doors with stay open feature

Adjustable heavy duty shelves

Clear plastic 1/6 pans included

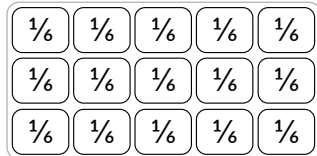
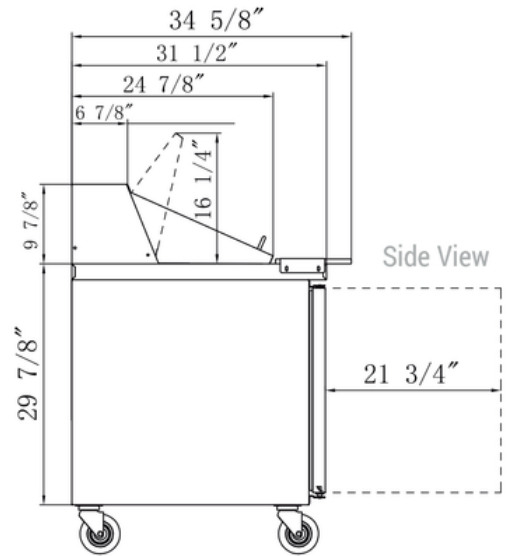


9" deep cutting board



SPECIFICATIONS

Capacity (Cu. ft)	11.47
Capacity (Liters)	324.79 L
Exterior Dimensions (in)	36" x 33 1/8" x 43 5/8"
Interior Dimensions (in)	31 7/8" x 20" x 23"
Net Weight (kg/lbs)	97.5 kg / 215 lbs
Door(s)	2
Temperature Range (°C)	0.5 TO 5°C
Ambient Temperature	25°C
Ambient Humidity	55%
Refrigerant (CFC-Free)	R290
Amperage (A)	2.4 A
Voltage (V)	115V / 60Hz
Plug Type	NEMA 5-15P



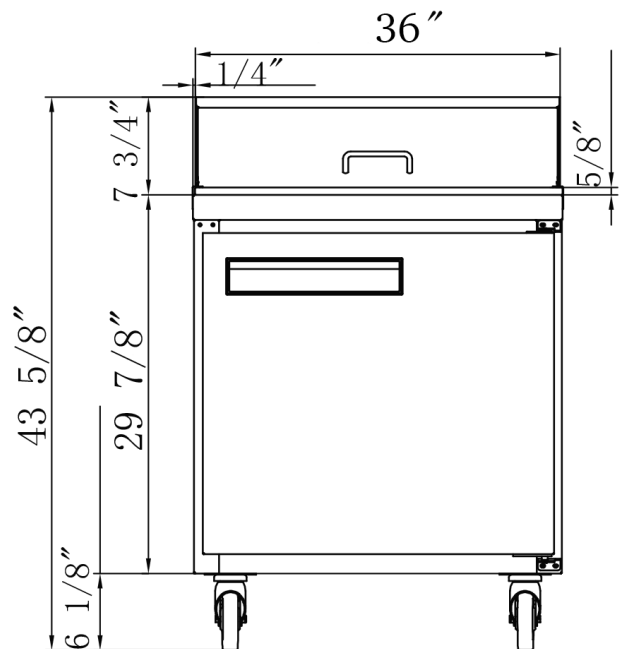
15 x 1/2 Pans



NEMA 5-15P



Intertek



NEW AIR

*Design and specifications may change without prior notice for product improvement

CUSTOMER SUPPORT



1-800-567-3620



NEWAIRREFRIGERATION.CA

